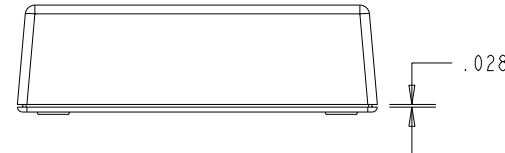
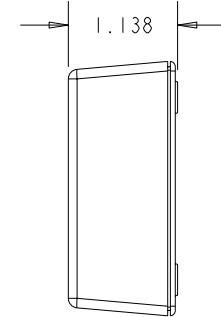
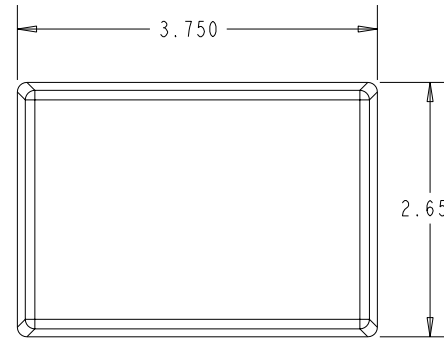
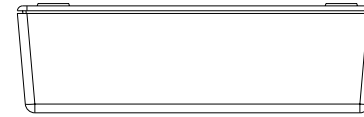
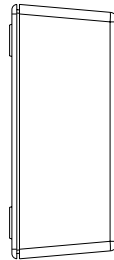
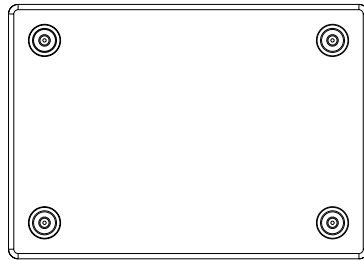


NOTES: UNLESS OTHERWISE SPECIFIED

1. DIMENSIONS TO BE SYMETRICAL ABOUT CENTERLINES WITHIN .003 T.I.R.
2. CORNERS DRAWN SHARP TO BE R.005 MAXIMUM.
3. EXTERIOR SURFACES TO BE MEDIUM MATTE FINISH.
4. INTERIOR SURFACES TO BE FINE MATTE FINISH
5. ALL INSIDE RADII TO BE R.010. ALL OUTSIDE RADII TO BE .020 MAX.
6. 5 DEGREES DRAFT IN THE DIRECTION OF PULL IS PERMISSIBLE.
7. MATERIAL: HIGH IMPACT ABS.
8. ASSEMBLY HARDWARE PROVIDED.
9. CUSTOM INSERTS MAY BE AVAILABLE.
10. SURFACE PROFILES AND ELECTRONIC DATA MAY BE OBTAINED FROM:

Unibox Enclosures  
 3620 Sacramento Dr. Suite 101  
 San Luis Obispo CA 93401  
 (805) 785-0900  
 www.uniboxinfo.com

REVISIONS				
REV	BY	DESCRIPTION	DATE	APPROVED
1	JDG	Preliminary Release	07-Mar-03	



BILL OF MATERIALS			
	P/N	DESCRIPTION	COLOR
1	122	Standard Tall Cover	
2	118	Standard Flat Base	
3		#4 Self Tapping Screws	
4			

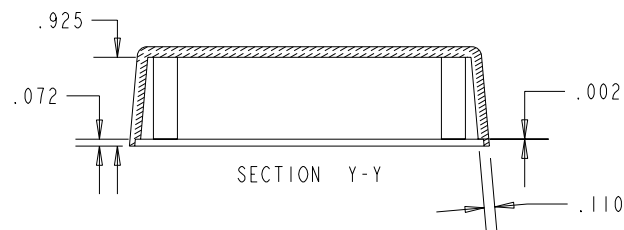
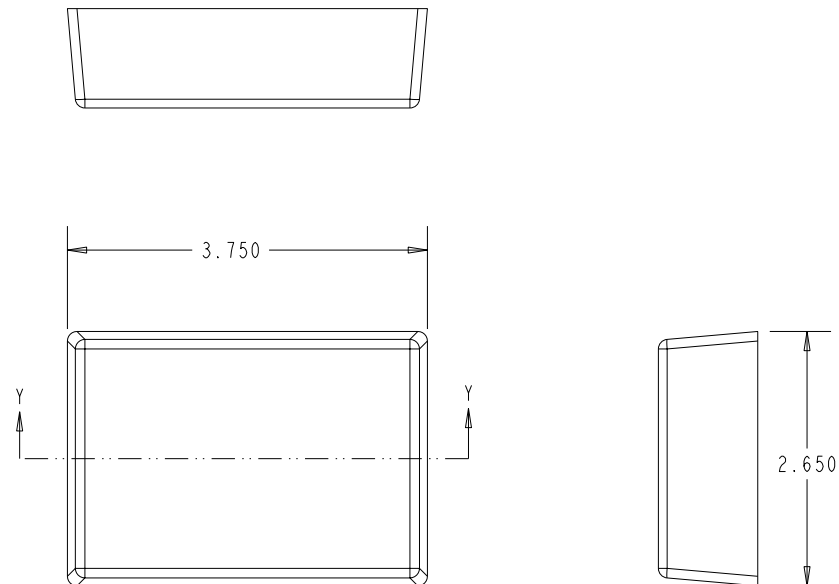
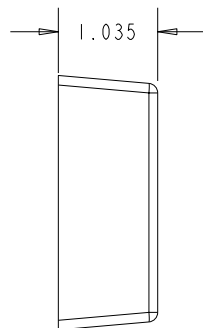
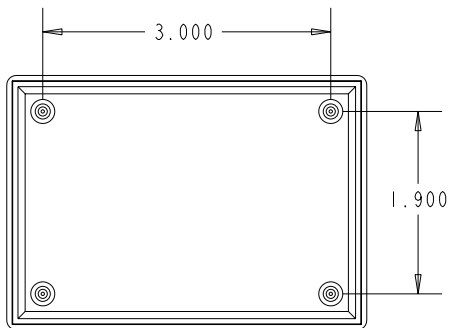
NOTICE: THE INFORMATION AND DATA CONTAINED HEREIN IS CONSIDERED PROPRIETARY TO UNIBOX ENCLOSURES, AND SHALL REMAIN THE EXCLUSIVE PROPERTY OF UNIBOX ENCLOSURES. THE HOLDER WILL ASSUME CUSTODY AND CONTROL THAT THIS DOCUMENT WILL NOT BE COPIED, REPRODUCED, OR DISCLOSED WITHOUT THE EXPRESS WRITTEN CONSENT OF UNIBOX ENCLOSURES. POSSESSION OF THIS DOCUMENT DOES NOT CONSTITUTE A GRANT TO MANUFACTURE ANY ITEMS.  
**DO NOT SCALE DRAWING**

UNLESS OTHERWISE SPECIFIED DIMENSIONS ARE IN INCHES TOLERANCES ARE: X.XX = .015 X.XXX = .010 X° = 1°		COMPANY <b>Sunflower Mfg.</b>	
MATERIAL High Impact ABS	APPROVALS	DATE	
FINISH Standard	DRAWN JDG	07-Mar-03	
THIRD ANGLE PROJECTION	CHECK		
	ENG.		
	SCALE 0.500		
	FILE 100119-0013.r1.ASM		

**UNIBOX ENCLOSURES**  
 3620 SACRAMENTO DR. Suite 101, SAN LUIS OBISPO, CA 93401  
 PHONE (805) 785-0900 FAX 805-785-0948

Enclosure Assembly  
 Standard Unibox P/N 119

SIZE A	DRAWING NO. 100119-0013	SHEETS 1 OF 3	REV 1
-----------	----------------------------	------------------	----------



NOTICE: THE INFORMATION AND DATA CONTAINED HEREIN IS CONSIDERED PROPRIETARY TO UNIBOX ENCLOSURES, AND SHALL REMAIN THE EXCLUSIVE PROPERTY OF UNIBOX ENCLOSURES. THE HOLDER WILL ASSUME CUSTODY AND CONTROL THAT THIS DOCUMENT WILL NOT BE COPIED, REPRODUCED, OR DISCLOSED WITHOUT THE EXPRESS WRITTEN CONSENT OF UNIBOX ENCLOSURES. POSSESSION OF THIS DOCUMENT DOES NOT CONSTITUTE A GRANT TO MANUFACTURE ANY ITEMS.

**DO NOT SCALE DRAWING**

UNLESS OTHERWISE SPECIFIED DIMENSIONS ARE IN INCHES TOLERANCES ARE:

X.XX = .015  
 X.XXX = .010  
 X° = 1°

MATERIAL  
 High Impact ABS

FINISH  
 Standard

THIRD ANGLE  
 PROJECTION

COMPANY  
 Sunflower Mfg.

APPROVALS

DRAWN JDG

CHECK

ENG.

SCALE 0.500

FILE  
 100119-0011.r1

**UNIBOX ENCLOSURES**

3620 SACRAMENTO DR. Suite 101, SAN LUIS OBISPO, CA 93401  
 PHONE (805) 785-0900 FAX 805-785-0948

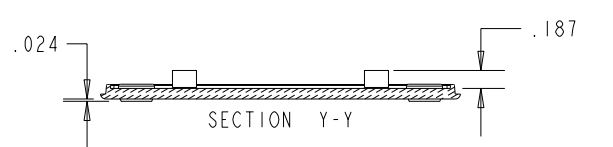
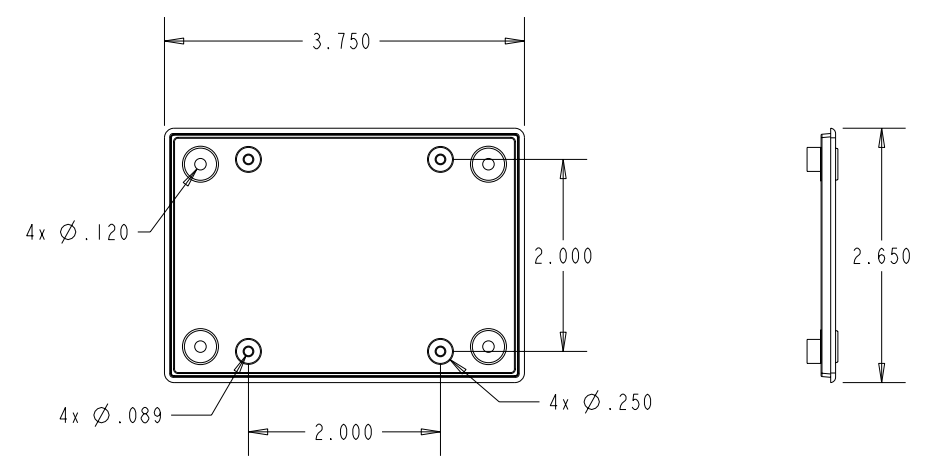
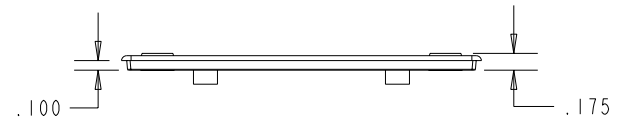
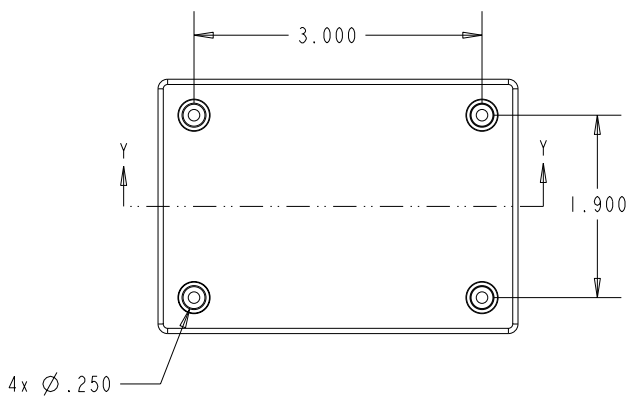
Enclosure Assembly  
 Standard Unibox P/N 119

SIZE  
 A

DRAWING NO.  
 100119-0013

SHEETS  
 2 OF 3

REV  
 1



NOTICE: THE INFORMATION AND DATA CONTAINED HEREIN IS CONSIDERED PROPRIETARY TO UNIBOX ENCLOSURES, AND SHALL REMAIN THE EXCLUSIVE PROPERTY OF UNIBOX ENCLOSURES. THE HOLDER WILL ASSUME CUSTODY AND CONTROL THAT THIS DOCUMENT WILL NOT BE COPIED, REPRODUCED, OR DISCLOSED WITHOUT THE EXPRESS WRITTEN CONSENT OF UNIBOX ENCLOSURES. POSSESSION OF THIS DOCUMENT DOES NOT CONSTITUTE A GRANT TO MANUFACTURE ANY ITEMS.

**DO NOT SCALE DRAWING**

UNLESS OTHERWISE SPECIFIED DIMENSIONS ARE IN INCHES TOLERANCES ARE:

X.XX = .015  
 X.XXX = .010  
 X° = 1°

MATERIAL  
 High Impact ABS

FINISH  
 Standard

THIRD ANGLE PROJECTION

COMPANY  
 Sunflower Mfg.

APPROVALS	DATE
DRAWN JDG	07-Mar-03
CHECK	
ENG.	
SCALE 0.500	

FILE  
 100119-0012.r1

**UNIBOX ENCLOSURES**

3620 SACRAMENTO DR. Suite 101, SAN LUIS OBISPO, CA 93401  
 PHONE (805) 785-0900 FAX 805-785-0948

Enclosure Assembly  
 Standard Unibox P/N 119

SIZE A	DRAWING NO. 100119-0013	SHEETS 3 OF 3	REV 1
-----------	----------------------------	------------------	----------