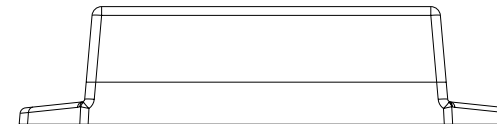
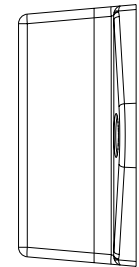
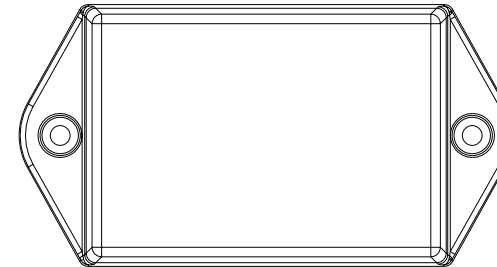
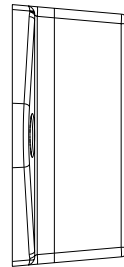
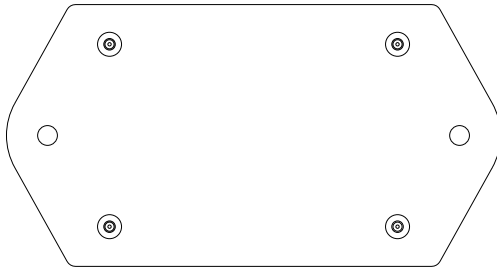
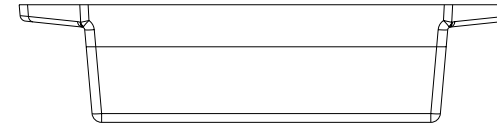


NOTES: UNLESS OTHERWISE SPECIFIED

1. DIMENSIONS TO BE SYMETRICAL ABOUT CENTERLINES WITHIN .003 T.I.R.
2. CORNERS DRAWN SHARP TO BE R.005 MAXIMUM.
3. EXTERIOR SURFACES TO BE MEDIUM MATTE FINISH.
4. INTERIOR SURFACES TO BE FINE MATTE FINISH
5. ALL INSIDE RADII TO BE R.010. ALL OUTSIDE RADII TO BE .020 MAX.
6. 5 DEGREES DRAFT IN THE DIRECTION OF PULL IS PERMISSIBLE.
7. MATERIAL: HIGH IMPACT ABS.
8. ASSEMBLY HARDWARE PROVIDED.
9. CUSTOM INSERTS MAY BE AVAILABLE.
10. SURFACE PROFILES AND ELECTRONIC DATA MAY BE OBTAINED FROM:

Unibox Enclosures
 3620 Sacramento Dr. Suite 101
 San Luis Obispo CA 93401
 (805) 785-0900
 www.uniboxinfo.com

REVISIONS				
REV	BY	DESCRIPTION	DATE	APPROVED
1	JDG	Preliminary Release	09-May-03	



BILL OF MATERIALS			
	P/N	DESCRIPTION	COLOR
1	720	Standard Wallmount Base	
2	120	Standard Cover	
3		#4 Self-Tapping Screws	
4			

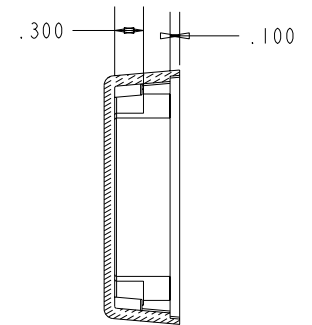
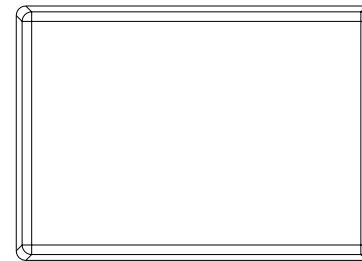
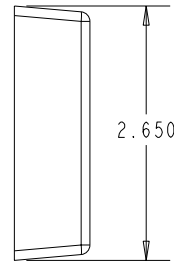
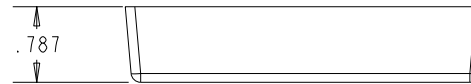
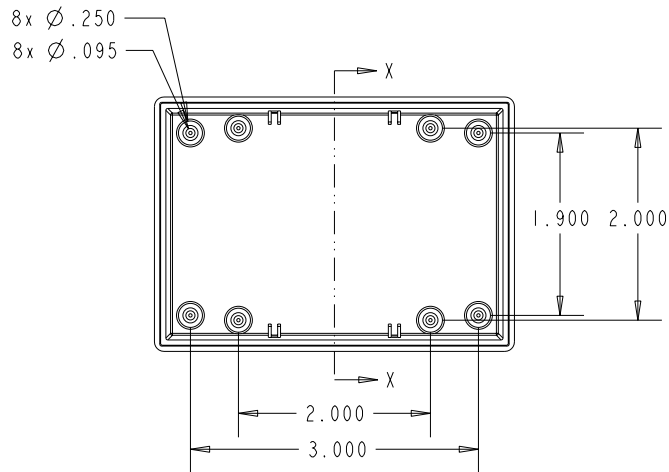
NOTICE: THE INFORMATION AND DATA CONTAINED HEREIN IS CONSIDERED PROPRIETARY TO UNIBOX ENCLOSURES, AND SHALL REMAIN THE EXCLUSIVE PROPERTY OF UNIBOX ENCLOSURES. THE HOLDER WILL ASSUME CUSTODY AND CONTROL THAT THIS DOCUMENT WILL NOT BE COPIED, REPRODUCED, OR DISCLOSED WITHOUT THE EXPRESS WRITTEN CONSENT OF UNIBOX ENCLOSURES. POSSESSION OF THIS DOCUMENT DOES NOT CONSTITUTE A GRANT TO MANUFACTURE ANY ITEMS.
DO NOT SCALE DRAWING

UNLESS OTHERWISE SPECIFIED DIMENSIONS ARE IN INCHES TOLERANCES ARE: X.XX = .015 X.XXX = .010 X° = 1°		COMPANY Sunflower Mfg.	
MATERIAL High Impact ABS	APPROVALS	DATE	
FINISH Standard	DRAWN JDG	09-May-03	
THIRD ANGLE PROJECTION	CHECK		
	ENG.		
	SCALE 0.500		
	FILE	100720-0013.r1.ASM	

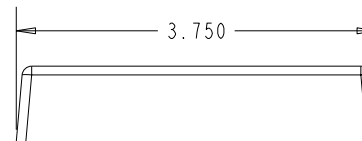
UNIBOX ENCLOSURES
 3620 SACRAMENTO DR. Suite 101, SAN LUIS OBISPO, CA 93401
 PHONE (805) 785-0900 FAX 805-785-0948

Enclosure Assembly
 Standard Unibox P/N 720

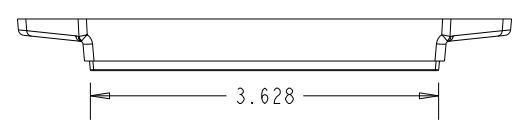
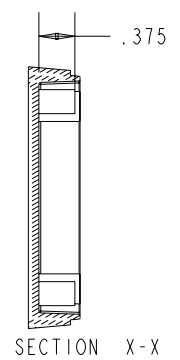
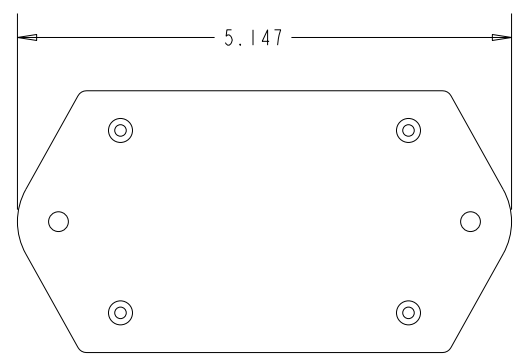
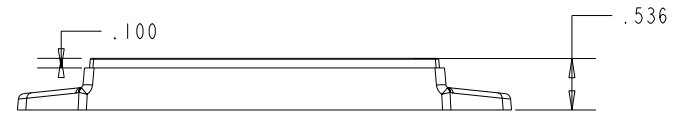
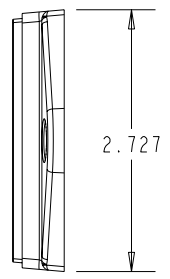
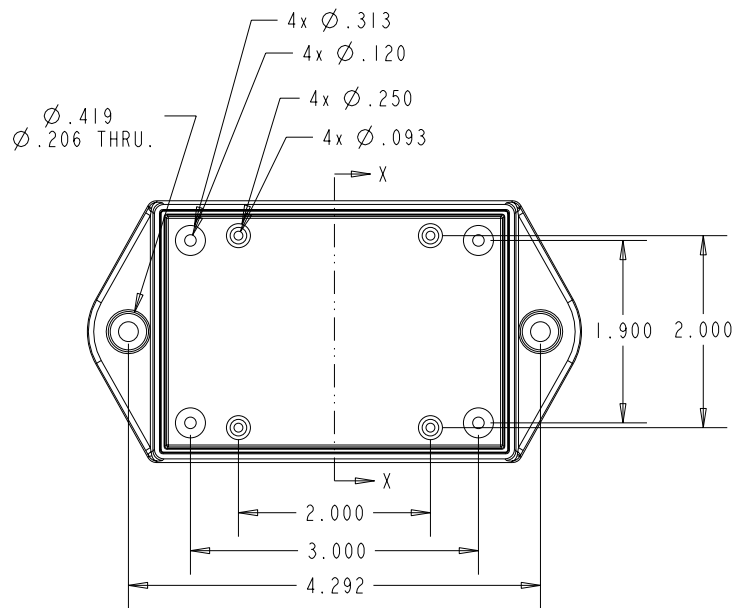
SIZE A	DRAWING NO. 100720-0013	SHEETS 1 OF 3	REV 1
-----------	----------------------------	------------------	----------



SECTION X-X



<p>NOTICE: THE INFORMATION AND DATA CONTAINED HEREIN IS CONSIDERED PROPRIETARY TO UNIBOX ENCLOSURES, AND SHALL REMAIN THE EXCLUSIVE PROPERTY OF UNIBOX ENCLOSURES. THE HOLDER WILL ASSUME CUSTODY AND CONTROL THAT THIS DOCUMENT WILL NOT BE COPIED, REPRODUCED, OR DISCLOSED WITHOUT THE EXPRESS WRITTEN CONSENT OF UNIBOX ENCLOSURES. POSSESSION OF THIS DOCUMENT DOES NOT CONSTITUTE A GRANT TO MANUFACTURE ANY ITEMS.</p> <p>DO NOT SCALE DRAWING</p>	<p>UNLESS OTHERWISE SPECIFIED DIMENSIONS ARE IN INCHES TOLERANCES ARE:</p> <p>X.XX = .015 X.XXX = .010 X" = .1"</p>	<p>COMPANY Sunflower Mfg.</p>		<p>UNIBOX ENCLOSURES</p> <p>3620 SACRAMENTO DR. Suite 101, SAN LUIS OBISPO, CA 93401 PHONE (805) 785-0900 FAX 805-785-0948</p>		
	<p>MATERIAL High Impact ABS</p>	<p>APPROVALS</p>	<p>DATE</p>	<p>Enclosure Assembly Standard Unibox P/N 720</p>		
	<p>FINISH Standard</p>	<p>DRAWN J.DG</p>	<p>09-May-03</p>			
	<p>THIRD ANGLE PROJECTION</p>	<p>ENG.</p>	<p>SCALE 0.500</p>			
<p>FILE 100720-0011.r1.PRT</p>		<p>SIZE A</p>	<p>DRAWING NO. 100720-0013</p>	<p>SHEETS 2 OF 3</p>	<p>REV 1</p>	



NOTICE: THE INFORMATION AND DATA CONTAINED HEREIN IS CONSIDERED PROPRIETARY TO UNIBOX ENCLOSURES, AND SHALL REMAIN THE EXCLUSIVE PROPERTY OF UNIBOX ENCLOSURES. THE HOLDER WILL ASSUME CUSTODY AND CONTROL THAT THIS DOCUMENT WILL NOT BE COPIED, REPRODUCED, OR DISCLOSED WITHOUT THE EXPRESS WRITTEN CONSENT OF UNIBOX ENCLOSURES. POSSESSION OF THIS DOCUMENT DOES NOT CONSTITUTE A GRANT TO MANUFACTURE ANY ITEMS.
DO NOT SCALE DRAWING

UNLESS OTHERWISE SPECIFIED DIMENSIONS ARE IN INCHES TOLERANCES ARE: X.XX = .015 X.XXX = .010 X° = 1°		COMPANY Sunflower Mfg.	
MATERIAL High Impact ABS	APPROVALS	DATE	
FINISH Standard	DRAWN JDG	09-May-03	
THIRD ANGLE PROJECTION	CHECK		
	ENG.		
	SCALE 0.500		
	FILE 100720-0012.r1.PRT		

UNIBOX ENCLOSURES
 3620 SACRAMENTO DR. Suite 101, SAN LUIS OBISPO, CA 93401
 PHONE (805) 785-0900 FAX 805-785-0948

Enclosure Assembly
Standard Unibox P/N 720

SIZE A	DRAWING NO. 100720-0013	SHEETS 3 OF 3	REV 1
-----------	----------------------------	------------------	----------