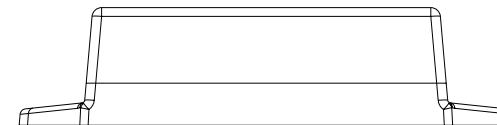
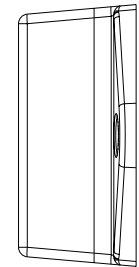
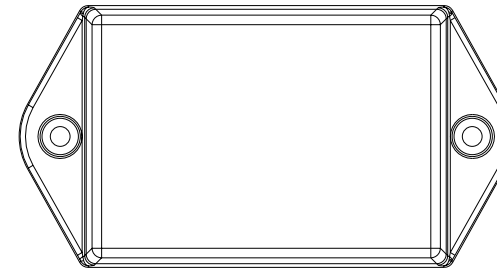
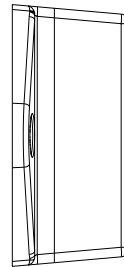
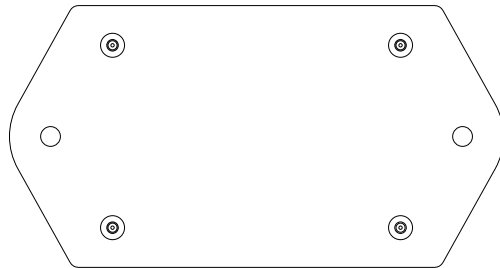
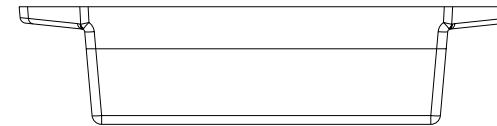


NOTES: UNLESS OTHERWISE SPECIFIED

1. DIMENSIONS TO BE SYMETRICAL ABOUT CENTERLINES WITHIN .003 T.I.R.
2. CORNERS DRAWN SHARP TO BE R.005 MAXIMUM.
3. EXTERIOR SURFACES TO BE MEDIUM MATTE FINISH.
4. INTERIOR SURFACES TO BE FINE MATTE FINISH
5. ALL INSIDE RADII TO BE R.010. ALL OUTSIDE RADII TO BE .020 MAX.
6. 5 DEGREES DRAFT IN THE DIRECTION OF PULL IS PERMISSIBLE.
7. MATERIAL: HIGH IMPACT ABS.
8. ASSEMBLY HARDWARE PROVIDED.
9. CUSTOM INSERTS MAY BE AVAILABLE.
10. SURFACE PROFILES AND ELECTRONIC DATA MAY BE OBTAINED FROM:

Unibox Enclosures  
 3620 Sacramento Dr. Suite 101  
 San Luis Obispo CA 93401  
 (805) 785-0900  
 www.uniboxinfo.com

REVISIONS				
REV	BY	DESCRIPTION	DATE	APPROVED
1	JDG	Preliminary Release	09-May-03	



BILL OF MATERIALS			
	P/N	DESCRIPTION	COLOR
1	720	Standard Wallmount Base	
2	120	Standard Cover	
3		#4 Self-Tapping Screws	
4			

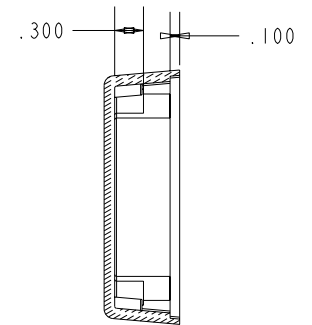
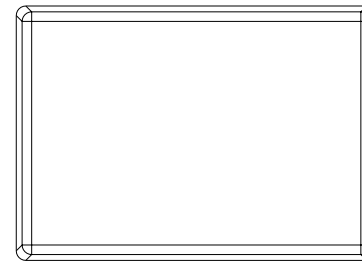
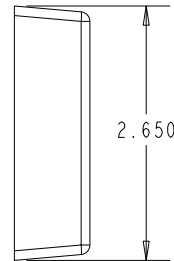
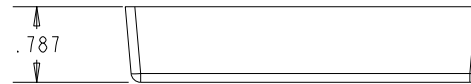
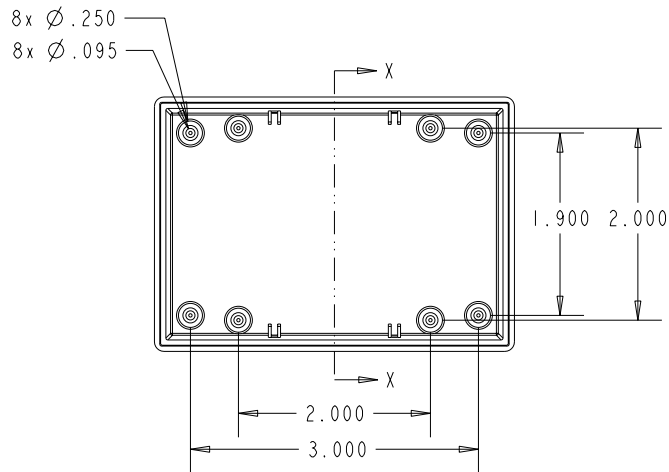
NOTICE: THE INFORMATION AND DATA CONTAINED HEREIN IS CONSIDERED PROPRIETARY TO UNIBOX ENCLOSURES, AND SHALL REMAIN THE EXCLUSIVE PROPERTY OF UNIBOX ENCLOSURES. THE HOLDER WILL ASSUME CUSTODY AND CONTROL THAT THIS DOCUMENT WILL NOT BE COPIED, REPRODUCED, OR DISCLOSED WITHOUT THE EXPRESS WRITTEN CONSENT OF UNIBOX ENCLOSURES. POSSESSION OF THIS DOCUMENT DOES NOT CONSTITUTE A GRANT TO MANUFACTURE ANY ITEMS.  
**DO NOT SCALE DRAWING**

UNLESS OTHERWISE SPECIFIED DIMENSIONS ARE IN INCHES TOLERANCES ARE: X.XX = .015 X.XXX = .010 X° = 1°	COMPANY <b>Sunflower Mfg.</b>
MATERIAL <b>High Impact ABS</b>	APPROVALS
FINISH <b>Standard</b>	DATE
THIRD ANGLE PROJECTION	DRAWN JDG
	ENG.
	CHECK
	SCALE 0.500
	FILE
	100722-0013.r1.ASM

**UNIBOX ENCLOSURES**  
 3620 SACRAMENTO DR. Suite 101, SAN LUIS OBISPO, CA 93401  
 PHONE (805) 785-0900 FAX 805-785-0948

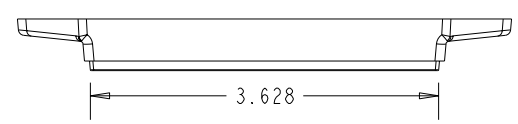
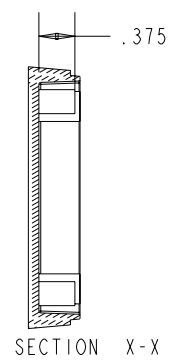
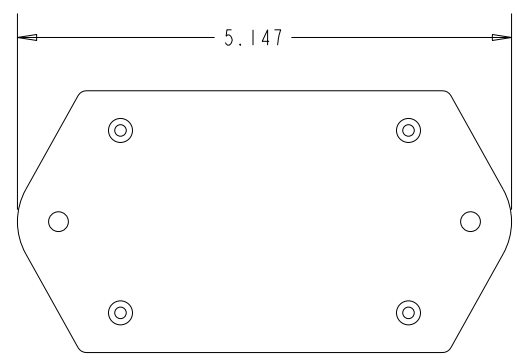
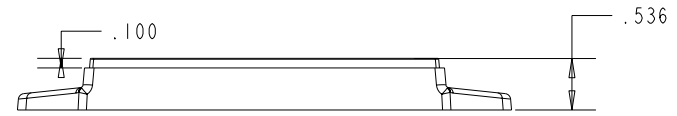
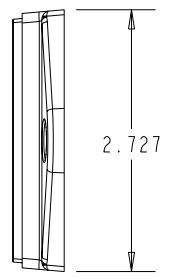
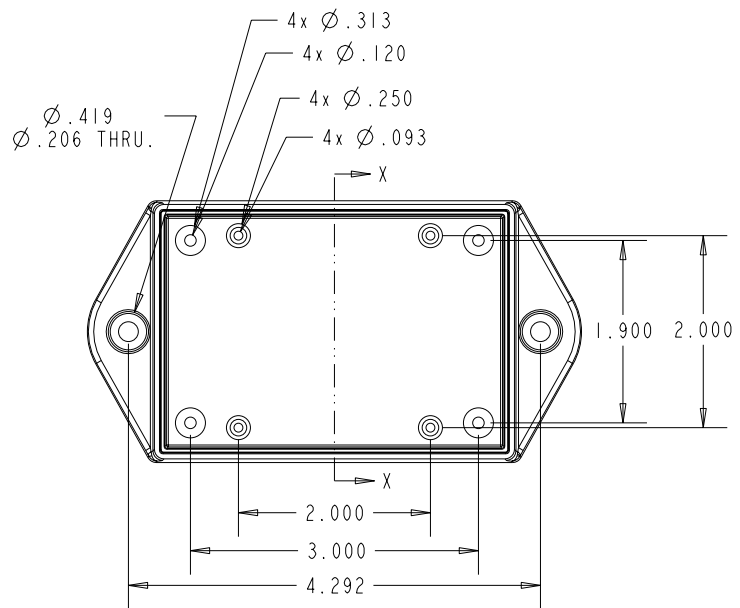
**Enclosure Assembly**  
**Standard Unibox P/N 722**

SIZE <b>A</b>	DRAWING NO. <b>100722-0013</b>	SHEETS 1 OF 3	REV <b>1</b>
------------------	-----------------------------------	------------------	-----------------



SECTION X-X

<p>NOTICE: THE INFORMATION AND DATA CONTAINED HEREIN IS CONSIDERED PROPRIETARY TO UNIBOX ENCLOSURES, AND SHALL REMAIN THE EXCLUSIVE PROPERTY OF UNIBOX ENCLOSURES. THE HOLDER WILL ASSUME CUSTODY AND CONTROL THAT THIS DOCUMENT WILL NOT BE COPIED, REPRODUCED, OR DISCLOSED WITHOUT THE EXPRESS WRITTEN CONSENT OF UNIBOX ENCLOSURES. POSSESSION OF THIS DOCUMENT DOES NOT CONSTITUTE A GRANT TO MANUFACTURE ANY ITEMS.</p> <p><b>DO NOT SCALE DRAWING</b></p>	<p>UNLESS OTHERWISE SPECIFIED DIMENSIONS ARE IN INCHES TOLERANCES ARE:</p> <p>X.XX = .015 X.XXX = .010 X" = .1"</p>	<p>COMPANY <b>Sunflower Mfg.</b></p>	<p><b>UNIBOX ENCLOSURES</b></p> <p>3620 SACRAMENTO DR. Suite 101, SAN LUIS OBISPO, CA 93401 PHONE (805) 785-0900 FAX 805-785-0948</p>		
	<p>MATERIAL High Impact ABS</p>	<p>APPROVALS</p>	<p>DATE</p>	<p>Enclosure Assembly Standard Unibox P/N 722</p>	
	<p>FINISH Standard</p>	<p>DRAWN JDG</p>	<p>09-May-03</p>		
	<p>THIRD ANGLE PROJECTION</p>	<p>ENG.</p>	<p>SCALE 0.500</p>		
<p>FILE 100722-0011.r1.PRT</p>		<p>SIZE A</p>	<p>DRAWING NO. 100722-0013</p>	<p>SHEETS 2 OF 3</p>	<p>REV 1</p>



NOTICE: THE INFORMATION AND DATA CONTAINED HEREIN IS CONSIDERED PROPRIETARY TO UNIBOX ENCLOSURES, AND SHALL REMAIN THE EXCLUSIVE PROPERTY OF UNIBOX ENCLOSURES. THE HOLDER WILL ASSUME CUSTODY AND CONTROL THAT THIS DOCUMENT WILL NOT BE COPIED, REPRODUCED, OR DISCLOSED WITHOUT THE EXPRESS WRITTEN CONSENT OF UNIBOX ENCLOSURES. POSSESSION OF THIS DOCUMENT DOES NOT CONSTITUTE A GRANT TO MANUFACTURE ANY ITEMS.  
**DO NOT SCALE DRAWING**

UNLESS OTHERWISE SPECIFIED DIMENSIONS ARE IN INCHES TOLERANCES ARE:  
 X.XX = .015  
 X.XXX = .010  
 X° = 1°  
 MATERIAL  
 High Impact ABS  
 FINISH  
 Standard  
 THIRD ANGLE  
 PROJECTION

COMPANY  
 Sunflower Mfg.  
 APPROVALS  
 DATE  
 DRAWN JDG  
 09-May-03  
 CHECK  
 ENG.  
 SCALE 0.500  
 FILE  
 100722-0012.r1.PRT

**UNIBOX ENCLOSURES**  
 3620 SACRAMENTO DR. Suite 101, SAN LUIS OBISPO, CA 93401  
 PHONE (805) 785-0900 FAX 805-785-0948  
 Enclosure Assembly  
 Standard Unibox P/N 722  
 SIZE A DRAWING NO. 100722-0013  
 SHEETS 3 OF 3 REV 1